

H3 Swinghandle System

Medium / large · Sealed / non-sealed

Features

- Zinc alloy swinghandle system
- Multiple locking options; including DIN profile
- Indoor / outdoor version
- Available for medium (125mm x 25mm) and large (150mm x 25mm) door cutout
- Sealed version meets NEMA 4 / IP66 water intrusion standards
- Linear and rotational systems available

Material

- Handle: Zinc alloy, black powder coated or satin chrome plated
- Cam: Steel, zinc plated

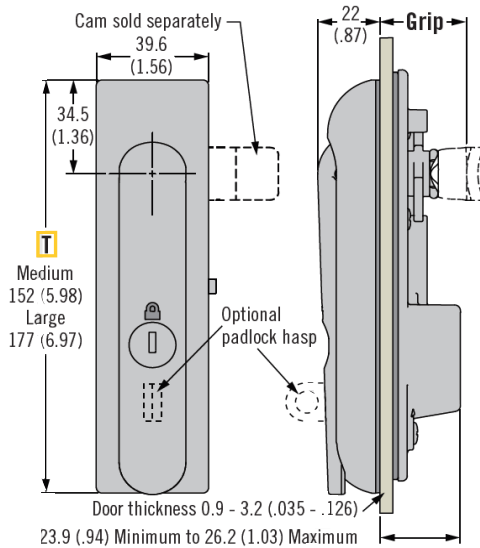
Product Performance

- Maximum static load: 250 N



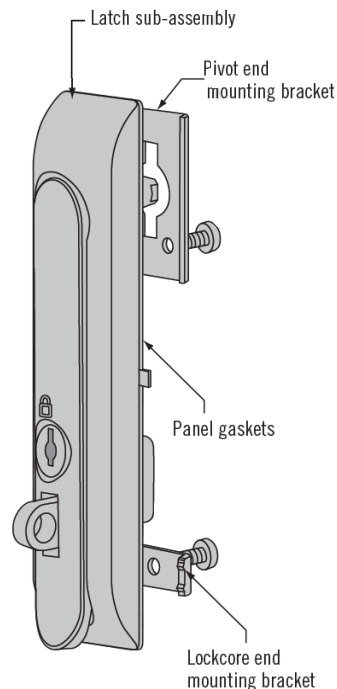
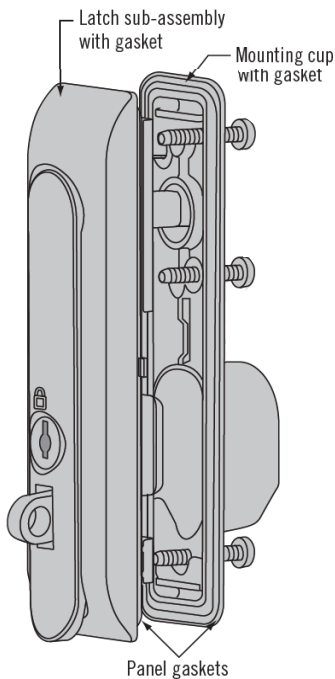
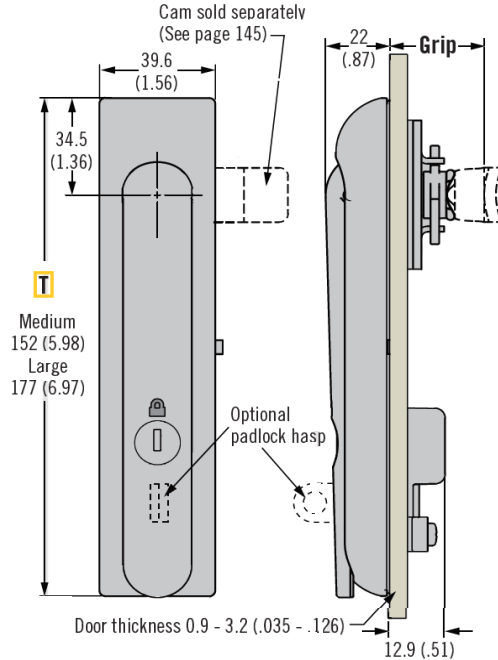
Sealed (H3-50 medium shown)

(H3-60 large available part number selection)



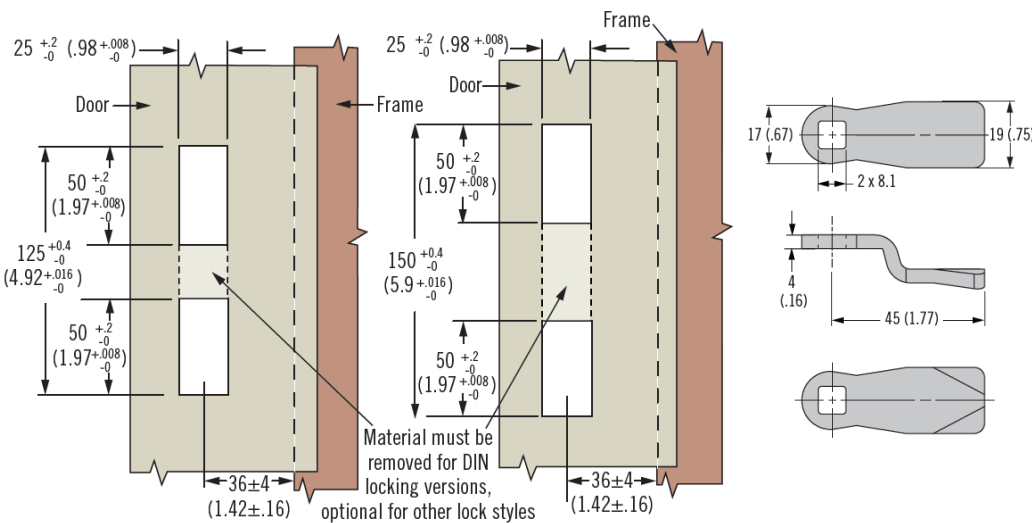
Non-Sealed (H3-60 large shown)

(H3-50 medium available part number selection)



Medium H3-50

Large H3-60



Notes

- For single point, order latch and cam separately
- For multi-point, order following separately:
 - Latch and cam
 - Linear actuator and rod adapters
 - Rods
 - Rod guides
- Key removal in lock position only for sealed version

Cam Part Number Table For Use With Linear Actuator Or Actuator Plate

Grip With Linear Actuator	Grip With Actuator Plate	Part Number	Grip With Linear Actuator	Grip With Actuator Plate	Part Number
~	10.3 (.41)	E5-6107	36.9 (1.45)	26.3 (1.04)	E5-6115
~	12.3 (.48)	E5-6108	38.9 (1.53)	28.3 (1.11)	E5-6116
24.9 (.98)	14.3 (.56)	E5-6109	40.9 (1.61)	30.3 (1.19)	E5-6117
26.9 (1.06)	16.3 (.64)	E5-6110	42.9 (1.69)	32.3 (1.27)	E5-6118
28.9 (1.14)	18.3 (.72)	E5-6111	44.9 (1.76)	34.3 (1.35)	E5-6119
30.9 (1.22)	20.3 (.80)	E5-6112	46.9 (1.85)	36.3 (1.43)	E5-6120
32.9 (1.30)	22.3 (.88)	E5-6113	48.9 (1.93)	38.3 (1.51)	E5-6121
34.9 (1.37)	24.3 (.96)	E5-6114	50.9 (2.00)	40.3 (1.59)	E5-6122

Latch Part Number (no cam)

H3 - T - A L - S F

T Size
 50 Medium - 152 (5.98) length
 60 Large - 177 (6.97) length

A Actuator style
 1 No padlock hasp for use with linear actuator
 2 With padlock hasp for use with linear actuator
 3 No padlock hasp for use as single point or with actuator plate
 4 With padlock hasp for use as single point or with actuator plate

L Lock style
 00 Locking DIN profile (no lock supplied)
 01 Locking keyed alike CH751*
 02 Locking keyed alike 300*
 03 Locking keyed alike 333*
 04 Non-locking
 05 Locking keyed alike HL450
 20 Non-locking with detent
 21 Locking DIN profile keyed alike CH751*
 22 Locking DIN profile keyed alike 300*
 23 Locking DIN profile keyed alike 333*

S Sealing option
 0 Non-sealed
 1 Sealed

F Finish
 44 Satin chrome
 50 Black powder coated

24 DIN without Lock Plug
 40 3 mm Double-bit
 41 5 mm Double-bit
 42 Bellcore 216
 43 Bellcore Hex-Pin Recess
 47 8 mm triangle
 70 DIN profile 3 mm Double-bit
 71 DIN profile 5 mm Double-bit
 72 DIN profile Bellcore 216
 73 DIN Profile Bellcore Hex-Pin Recess
 77 DIN profile 8 mm triangle

*2 overmoulded keys supplied

We are proud to be Southco's authorized distributor of over 20 years

